



ELECTROMECHANICAL 2-POST LIFT

SMART LIFT

THE SMART ORIGINAL



THE ORIGINAL NUSSBAUM LIFT

- ✓ 5 years warranty on spindle and spindle-nut
- ✓ Flexible in height: Ideal for low ceiling workshops
- ✓ Asymmetric lifting arms and carriage for optimal door clearance
- ✓ Small footprint - Saves space

3000 KG | 3500 KG | 4000 KG

ELECTROMECHANICAL 2-POST LIFT

SMART LIFT

Sturdy, reliable and ready

The SMART LIFT is THE classic NUSSBAUM lift: it is the result of 40 years experience in the manufacturing of lifts. Featuring a tried and tested design, the SMART LIFT comes with a 5 year warranty on spindle and spindle-nut. More than 100,000 units are installed worldwide.

**Minimal height
of only 2890
mm**

The data and electric cable that connect the 2 columns can be installed above the columns or in the floor

SAFE

- ✓ Automatic locking of the arms
- ✓ Safety nut under the carrying nut
- ✓ Optical control of the wear out of the carrying nut

LONG LASTING

- ✓ 5 years warranty on spindle and spindle-nut
- ✓ Low wear Nylatron-nut guarantees a quiet operation
- ✓ Resistant and almost wear-free Poly-V belt

SMART LIFT: THE ONE LIFT YOU NEED



Wide opening of the vehicle's front doors



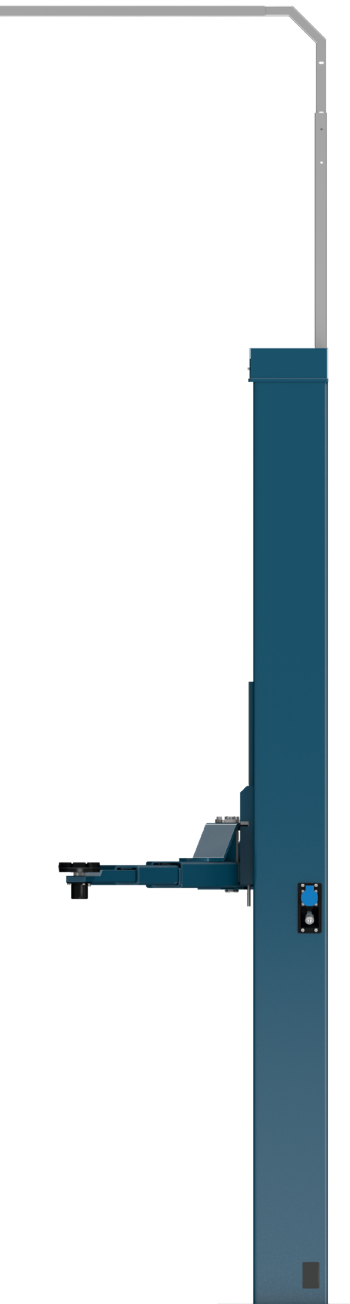
3 stage lifting arm



Mini Max lifting arms : easy and convenient to lift off-road vehicles as well as low clearance vehicles



SC (Sports car) made of solid steel wide sports car



Lifting arm versions available

- For SMART LIFT 3 and 3,5 tons

DT (3 STAGE ARMS)

The short lifting arm has 3 stages, providing a large adjustable range and therefore enables to lift small and wide vehicles.

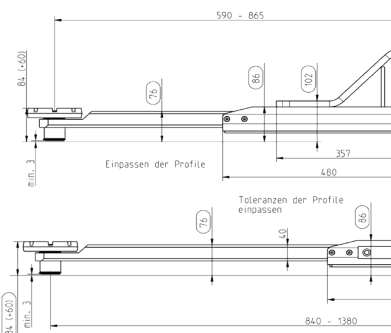
MM (MINI-MAX LIFTING ARMS) Adapter for deep drawn side skirt and off-road vehicles. Quick vertical multilevel adjustment, hand and foot operated.

- For SMART LIFT 3,5 tons only

SPORT CAR ARMS (SC) Extremely flat and sturdy arms made of solid material enable the lifting of very low and wide sports cars.

- For SMART LIFT 4 tons

UNIVERSAL CARRYING ARMS Extended 3 stage lifting arms for lifting cars and vans up to Mercedes Sprinter with long wheelbase on alternative pick up points.



THE SMART CHOICE

- Flexible: No ground connection between columns and adjustable height of top connection
- Suitable for a large range of vehicles
- Distance between the columns of 2460 mm
- Pick-up points starting at 75 mm*
- Short lifting arms swivelling 180°

ar arms): extremely flat construction. Very sturdy,
d material. Especially suitable for very low and
ars.



MAKE YOUR SMART CHOICE

SMART LIFT	2.30 SL	2.35 SL	2.40 SL
Lifting capacity (kg)	3000	3500	4000
Lifting/lowering time approx. (sec)	40/40	46/40	46/40
Lifting height (mm)	2010	2060	2060
Lowest lifting point (mm) Version DT	95-140	115-190	-
Version MINI-MAX	75-185	75-185	75-185
Version SC	-	80-120	-
Version UNIVERSAL	-	-	115-190
Total height column (mm)	2890	2890	2890
Top connection (mm)	3720-4120	3685-4170	3685-4170
Total width (mm) Version DT	3100	3230	-
Version MINI-MAX	3300	3350	3350
Version SC	-	3350	-
Version UNIVERSAL	-	-	3350
Drive-through width (mm) Version DT	2314	2400	-
Version MINI-MAX	2514	2520	2514
Version SC	-	2520	-
Version UNIVERSAL	-	-	2514
Column distance (mm) Version DT	2560	2650	-
Version MINI-MAX	2760	2770	2770
Version SC	-	2770	-
Version UNIVERSAL	-	-	2770
Arm-extraction long (mm) Version DT	945-1495	940-1495	-
Version MINI-MAX	1000-1480	1000-1480	1130-1840
Version SC	-	840-1380	-
Version UNIVERSAL	-	-	1130-1840
Arm-extraction short (mm) Version DT	480-870	570-1160	-
Version MINI-MAX	600-980	600-1000	635-1065
Version SC	-	590-865	-
Version UNIVERSAL	-	-	570-1160
Motor (kW)	2 x 1,5	2 x 1,5	2 x 1,5

ACCESSORIES



Height adapter 44 mm



Height adapter 155-245 mm



U-form adapter 150-233 mm



Lashing straps (2 units)



Drive-on tables (4 units)

More accessories available