



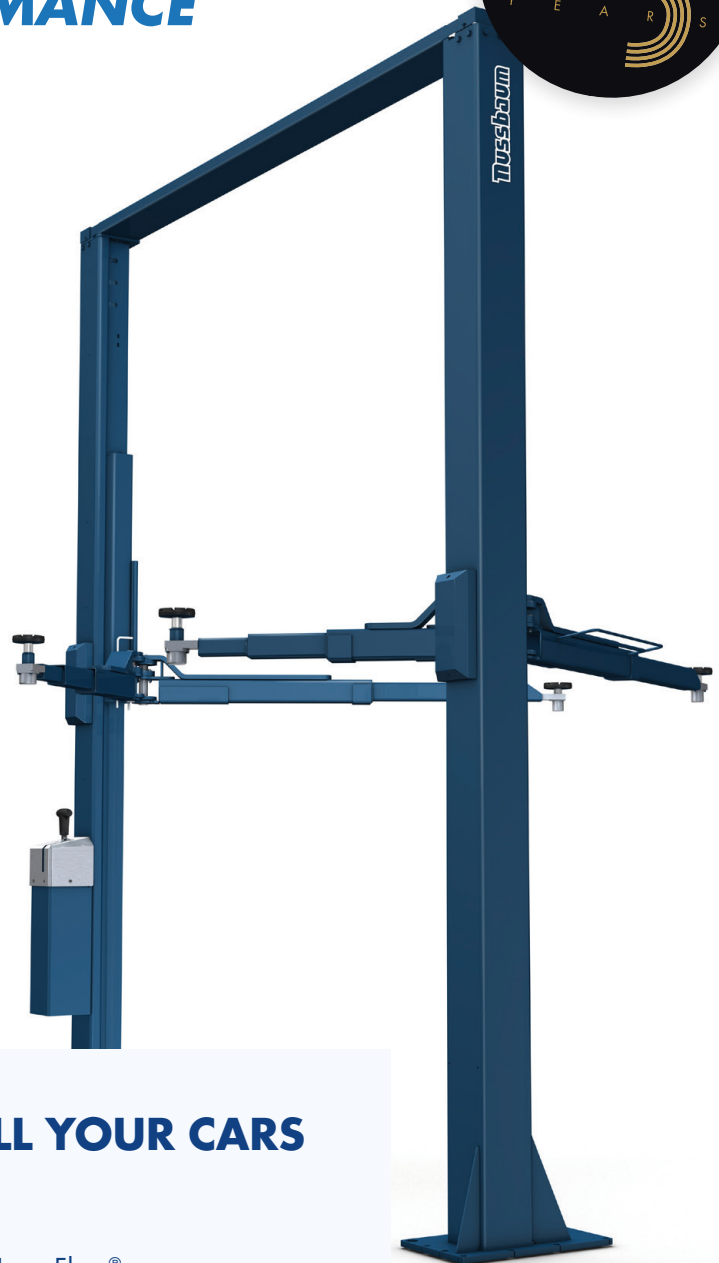
HYDRAULIC 2-POST LIFT

POWER LIFT HF

SAFETY AND PERFORMANCE



WITH PATENTED
HyperFlow®
technology



THE BEST 2-POST LIFT FOR ALL YOUR CARS

- ✓ Solid steel construction
- ✓ NUSSBAUM's hydraulic synchronization system HyperFlow®
- ✓ Integrated passive safety lock
- ✓ Perfect for passenger cars, heavy vehicles like SUVs, transporters and vans up to 4600 KG

4600 KG

HYDRAULIC 2-POST LIFT

POWER LIFT HF

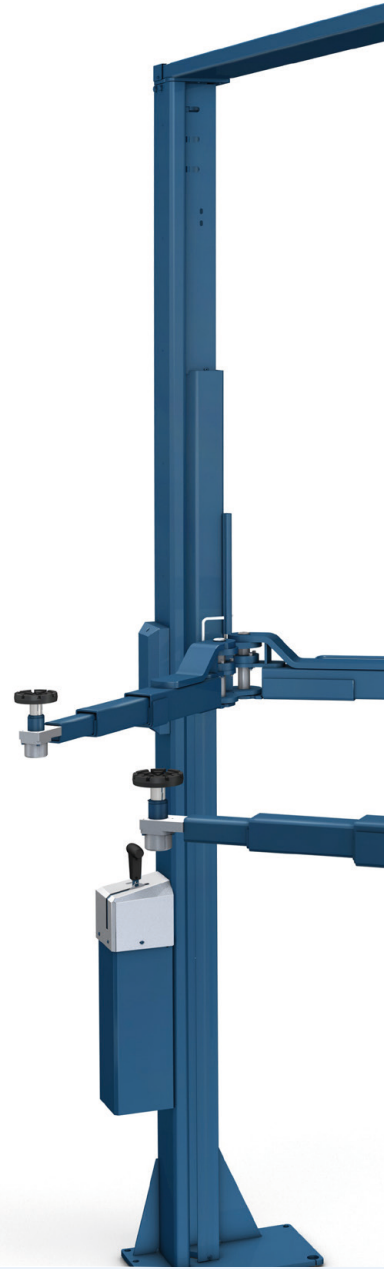
The best quality 2-cylinder lift

The POWER LIFT HF features the patented HyperFlow® technology and a mechanical lock: it guarantees you perfect synchronization of the lift at all times.

With HyperFlow® hydraulic technology and its automatic safety locks, it combines premium hydraulic technology and mechanical safety.

A practical and enduring lift

- ✓ One hand operation with NUSSBAUM commander
- ✓ NUSSBAUM commander allows for smooth and exact lowering of the lift to the desired position at variable speeds
- ✓ Height of the columns can be adapted upon installation with optional column extension



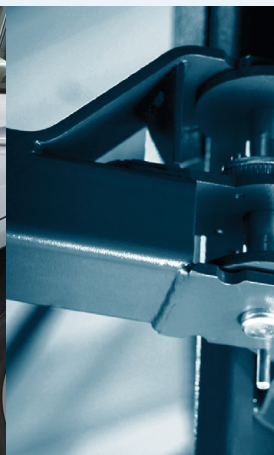
POWER LIFT HF: COMBINING HYDRAULIC PERFORMANCE AND MECHANICAL SAFETY



Scope of supply: telescopic asymmetric arms



Optimal door clearance with asymmetric arms



Automatic locking of lifting arm



VARIABLE HEIGHT

+600 mm with optional column extension

3 reasons why the POWER LIFT HF is low maintenance

Reduced use of hydraulic oil

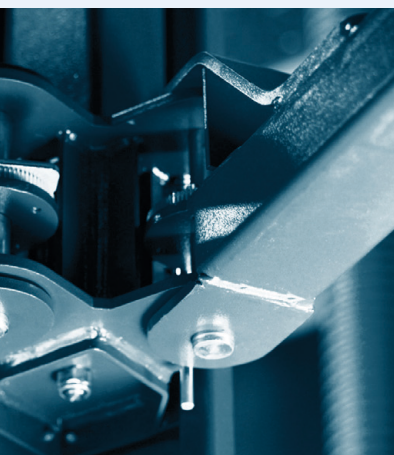
HyperFlow®-Technologie: All time optimum, permanent, constant synchronization of the lift. By means of an "overflow channel" the synchronism is automatically set/corrected at any time during operation when the vehicle is raised to the maximum.

No cables, no pulleys

No additional mechanical synchronization systems required.

No hydraulic hoses

In the POWER LIFT HF, all hydraulic connections are solid steel pipes. These steel pipes are maintenance free during the lifetime of the lift.



LESS DOWN TIME, MORE DO-TIME

- With a lifting capacity of 4600 kg, the POWER LIFT HF can lift a wide range of vehicles
- In conjunction with the HyperFlow® technology the synchronization of the two carriage arms is guaranteed at all times
- Less wear on parts, less down time for maintenance



THE POWER LIFT HF IN NUMBERS

POWER LIFT HF	HF 4600
Lifting capacity (kg)	4600
Lifting/lowering time approx. (sec)	35/24
Lifting height (mm)	1950
Lowest lifting point (mm)	115-190
Total height (mm)	4090/4690*
Total width (mm)	3250
Drive-through width (mm)	2497
Distance between columns (mm)	2750
Arm extraction long (mm)	1130-1840
Arm extraction short (mm)	570-1160
Power supply (V/Hz)	400/50/16
Motor (kW)	3

* +600 mm with optional column extension

ACCESSORIES



Height adapter 44 mm



Height adapter 155-245 mm



U-form adapter 150-233 mm



Lashing straps (2 units)



Drive-on tables (4 units)

**More accessories
available**